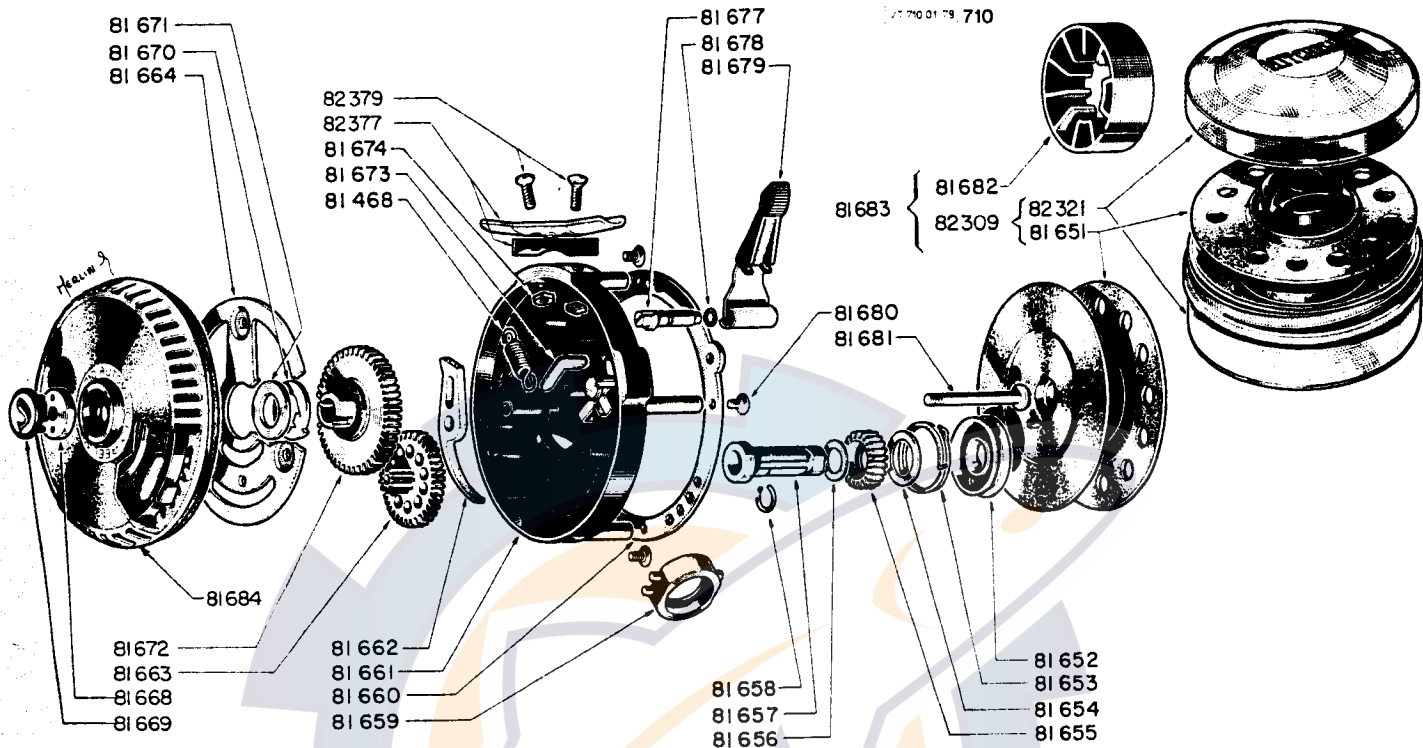


MITCHELL

710 01 79 710



CODE NO.	DESCRIPTION	SUGGESTED RETAIL
81468	Trip Lever Spring	.40
*81651	Spool Complete	4.50
81652	Brake Drum	3.00
81653	Brake Spring	2.00
81654	Brake Drum Washer	.25
81655	Pinion Gear	3.00
81656	Pinion Washer	.15
81657	Bushing	4.10
81658	"C" Lock	.25
81659	Line Guard	5.90
81660	Outer Housing Ring	3.20
81661	Housing Assembly	8.45
81662	Click Pawl	.40
81663	Transfer Gear	4.10
81664	Inner Housing Plate	.95
81668	Main Nut	.65
81669	Main Nut Cap	.85
81670	Ratchet Ring	.40
81671	Spacer	.25
81672	Drive Gear	7.60
81673	Brake Lever Dog	.25
81674	Reel Foot Lock Nut	.25
81677	Brake Lever Shaft	.85
81678	"O" Ring	.40
81679	Brake Lever	2.40
81680	Pillar Screw	.25
81681	Main Screw	.85
81682	Spool Arbor	.85
81683	Spool Complete Arbor Container	11.80
81684	Casing Complete Spring Anchor	10.15
82309	Spool / Container Without Arbor	10.95
82321	Spool Container	2.20
82377	Reel Foot	2.20
82379	Reel Foot Screw	.30

*When present inventory is depleted, this part will be replaced by another number. Please refer to chart in back of book.